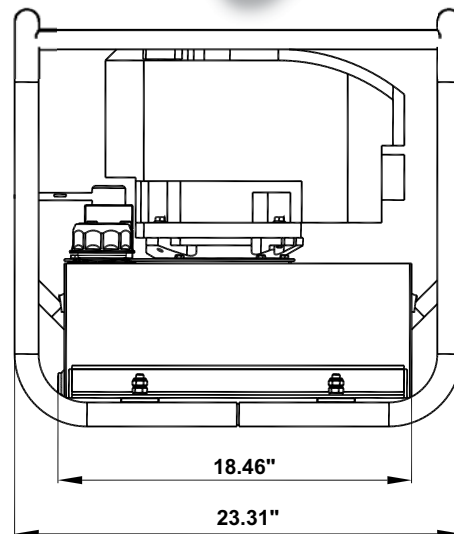
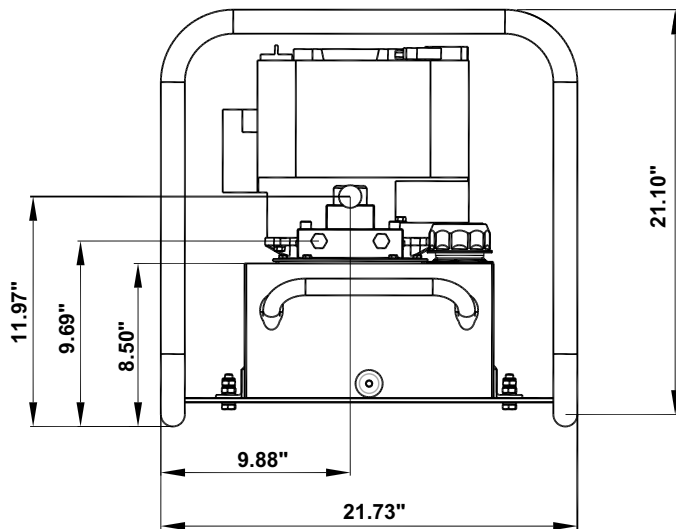
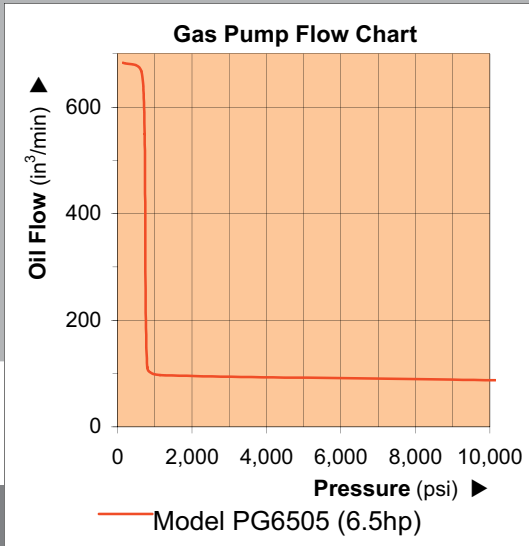


➤ Gas Engine Pump

- Gas pump will provide 10,000 psi hydraulic force at remote locations
- Industrial grade 6.5 hp Briggs & Stratton Intek series gas engine
- Manual control valve for use with single or double acting cylinders or tools
- Two speed pump designed for rapid cylinder advance
- Gas pump features a sturdy protective roll cage for use in the toughest environments



| Motor Size (hp) | Usable Oil Capacity (gal) | Model Number | Pressure Rating (psi) | | Oil Output Flow Rate (in ³) | | Valve Type | Valve Function | Rotation Speed (rpm) | Sound Level (dBA) | Weight (lbs) |
|--------------------|------------------------------|--------------|--------------------------|-----------|--|-----------|------------|-------------------|-------------------------|----------------------|-----------------|
| | | | 1st Stage | 2nd Stage | 1st Stage | 2nd Stage | | | | | |
| 6.50 | 5.00 | PG6505 | 580 | 10,000 | 610 | 67 | Manual | 4-way, 3-position | 3600 | 95 | 84.0 |