

Operating Instructions

WARNING

- Read, understand, and follow all printed materials provided with and on this pan before use.
- This pan is to be used only in conjunction with Blackhawk Engine Stand model BH5105, BH5106.
- Do not expose to fire or high temperature.
- Dispose of hydraulic fluid in accordance with federal, state and local regulation.
- Spilled engine fluids can create slippery floor conditions. Clean up spills immediately.
- Failure to heed these marking may result in personal injury and/or property damage.

Note: This product is designed to be used in conjunction with Blackhawk Engine Stands Model BH5105 & BH5106 only.

Assembly (refer to Figure 1)

1. Insert both rubber plugs into the drain holes from bottom to top.
2. For model BH5106, attached the braces to the pan with bolts and nuts provided.

Operation

1. Place the pan onto the base of your engine stand referring to Figure 2.
2. Drain oil into an approved container and dispose of oil in accordance with federal, state, and local regulations.

Replacement Parts

Refer to Figure 1 and table below, call or write for current pricing.

No.	Description	Part No.	Qty
1	Oil Pan	N/A	1
2	Rubber Plug	6448K65	2
3	Brace	included and	2
4	Bolt, 1/4"-20 x 3/4"L	available only as	2
5	Hex Nut, 1/4"-20	part of Hardware Kit	2
6	Hardware Kit (includes No. 2~5)	30001B	-

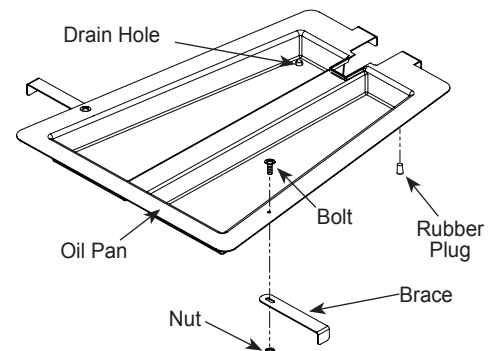


Figure 1 - Oil Drip Pan Illustration.

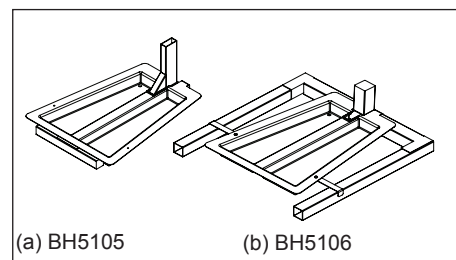


Figure 2 - Application Illustration on different models

ONE YEAR LIMITED WARRANTY

For a period of one (1) year from date of purchase, SFA Companies will repair or replace, at its option, without charge, any of its products which fails due to a defect in material or workmanship under normal usage. This limited warranty is a consumer's exclusive remedy.

Performance of any obligation under this warranty may be obtained by returning the warranted product, freight prepaid, to SFA Companies Warranty Service Department, 10939 N. Pomona Ave., Kansas city, MO 64153.

Except where such limitations and exclusions are specifically prohibited by applicable law.

(1) THE CONSUMER'S SOLE AND EXCLUSIVE REMEDY SHALL BE THE REPAIR OR REPLACEMENT OF DEFECTIVE PRODUCTS AS DESCRIBED ABOVE.

(2) SFA COMPANIES SHALL NOT BE LIABLE FOR ANY CONSEQUENTIAL OR INCIDENTAL DAMAGE OR LOSS WHATSOEVER.

(3) ANY IMPLIED WARRANTIES, INCLUDING WITHOUT LIMITATION THE IMPLIED WARRANTIES OF MERCHANTABILITY AND FITNESS FOR A PARTICULAR PURPOSE, SHALL BE LIMITED TO ONE YEAR, OTHERWISE THE REPAIR, REPLACEMENT OR REFUND AS PROVIDED UNDER THIS EXPRESS LIMITED WARRANTY IS THE EXCLUSIVE REMEDY OF THE CONSUMER, AND IS PROVIDED IN LIEU OF ALL OTHER WARRANTIES, EXPRESS OR IMPLIED.

(4) ANY MODIFICATION, ALTERATION, ABUSE, UNAUTHORIZED SERVICE OR ORNAMENTAL DESIGN VOIDS THIS WARRANTY AND IS NOT COVERED BY THIS WARRANTY.

Some states do not allow limitations on how long an implied warranty lasts, so the above limitation may not apply to you. Some states do not allow the exclusion or limitation of incidental or consequential damages, so the above limitation or exclusion may not apply to you. This warranty gives you specific legal rights, and you may also have other rights which vary from state to state.